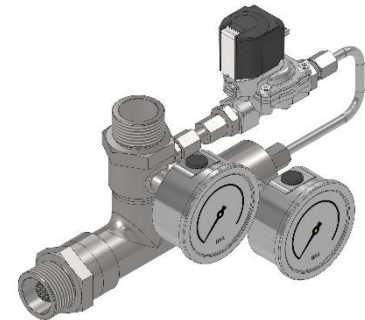


Description

The FIREKILL™ C-EL Electrically Operated Control Valve is a series robust and reliable deluge, angle positioned, pilot controlled valves created entirely in Stainless Steel (316L) and designed for operating in open deluge systems as a zone valve or a full flooding/deluge valve, capable of functioning under harsh conditions and designed to be connected to systems where no corrosion is allowed.



The Model C-EL Control Valve features smaller external trim than other conventional control valves, making the valve easy to install and limits the end-product costs, and greatly diminishes the spatial requirements of the control valve.

The Control Valves have been designed with the intention of being installed in fine water spray fixed firefighting systems (FFFS) in commercial and industrial applications. Because of the stainless-steel housing and internal components, the Model C-EL Control Valves are highly applicable in most areas. The valve can easily be disassembled for easy maintenance and refurbishment, without removing the valve housing from the connected system.

Approvals

The Model C-EL versions has been tested in a ISO17025 certified test laboratory.

Technical data

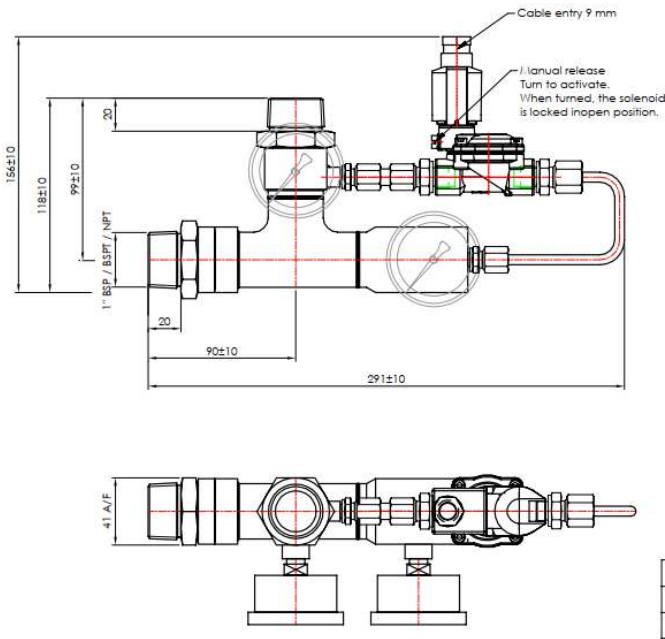
Specification			
Working Pressure		Max 16 bar	
Factory Tested		24 bar	
Materials		Stainless Steel AISI 316L	
Minimum stand-by pressure vs min flow (Note 1)	Min Pressure (bar)	2 Bar	6 Bar
	Min flow (l/min)	10 lpm	10 lpm
Weight		2,20 Kg	
Activation Options		Manual, Electrical (24 VDC NC/Impulse)	
Gasket Materials		EPDM	
S&O nr.	Solenoid Valve Variations:		24VDC (18W) NC
	Threaded / grooved version DN25		24 VDC (18W) Impulse
		CELB-13100	CELB-13101
Related Products			
Name		Model	
Simple Gasket/O-ring Service Kit		Model C Basic Valve Service Kit	
Complete Gasket/O-ring Service Kit		Model C Full Valve Service Kit	
Service Wrench for DN 25 valves		Model C Valve Wrench Kit	
Complete Valve Core for valve service		Model C Valve Core Kit	

Valve Sizes and Variations

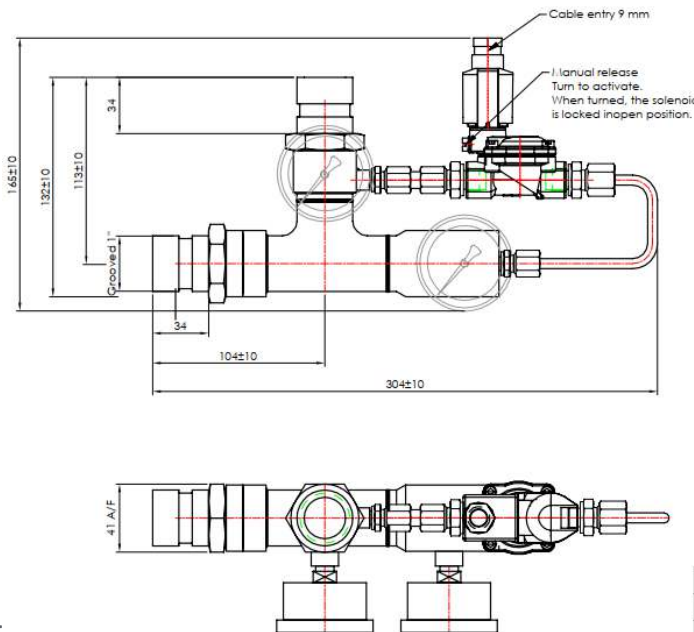
Sizes		KV-Value		Pressure gauge location
Inlet	Outlet			
DN 25	DN 25	137	l/min at 1 bar pressure loss	On pilot chamber and outlet

Note 1: The values define the minimum stand-by pressure vs minimum flow, i.e at typically 6 bar operating by pressure, the minimum flow in the system shall not be less than 20 l/min.

Dimensions threaded version.



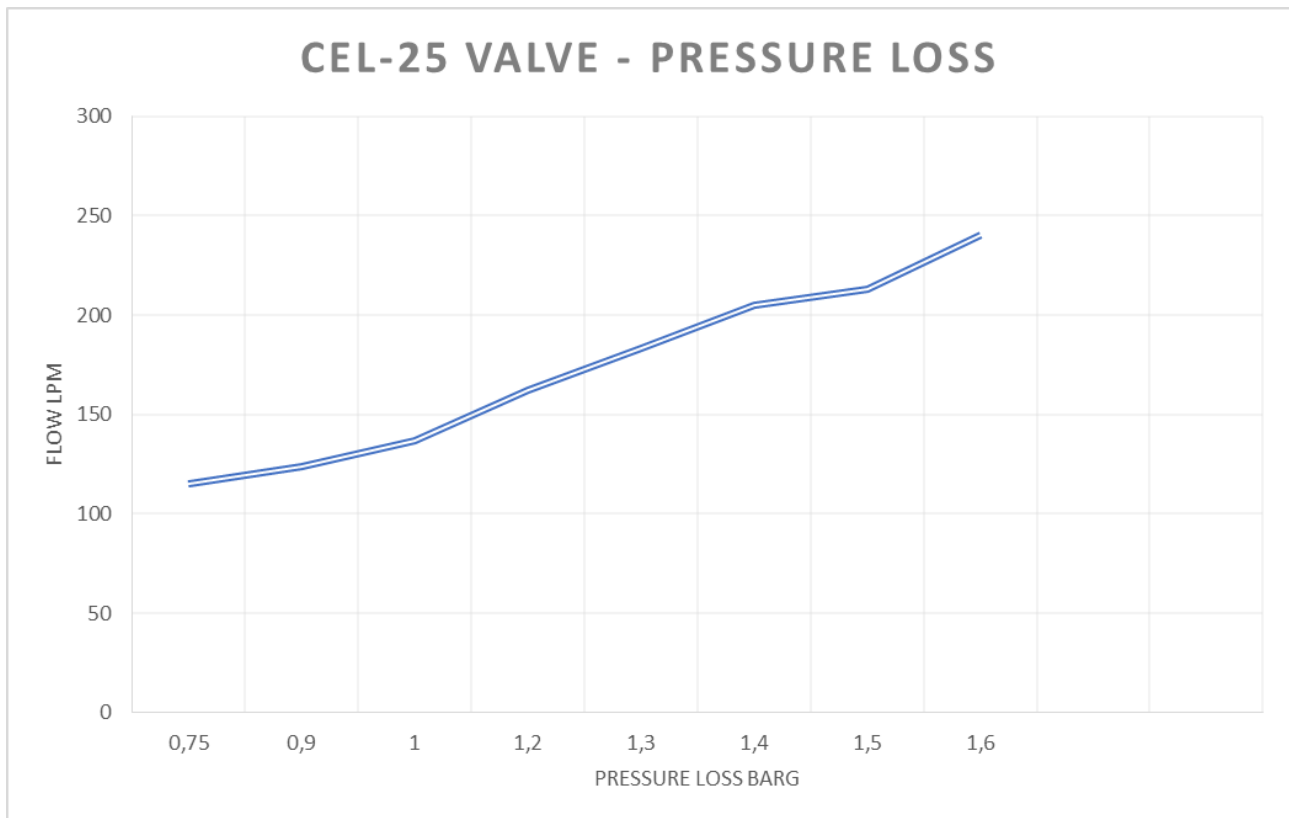
Dimensions grooved version.



NOTE: To allow for maintenance while installed, the Model C-EL shall have a free space of 225 mm at the valve trim side.

NOTE: To ensure correct operation the fluid should be filtered to eliminate all traces of impurity subject to magnetic attraction, which would inevitably deposit on the cores of the solenoid valve, which are always magnetized, causing the formation of oxide as well as contact problem.

Pressure loss



Contact

For further information on **FIREKILL™** products, please contact our sales department at Sales@vidfirekill.com

VID Fire-Kill APS is not responsible for any errors or omissions, or for the results obtained from the use of this information. All information in this document is provided "as is", with no guarantee of completeness, accuracy, functionality, timeliness or of the results obtained from the use of this information.