

Description

The FIRE KILL™ low pressure, fine water spray deluge systems Model N-pipe Type I-C1,5 and Model N-Pipe Type 3V-C2,5 was created for the protection of conveyors.

This datasheet covers the protection of closed, semi closed and open conveyors.

The Model N-Pipe Types I-C1,5 and 3V-C2,5 are supplied in 6 m pre-fabricated lengths, which lowers the time required for designing and installing the system and makes it easier to incorporate into existing locations.



The Type I-C-1,5 6m length of N-Pipe is fitted with 6 low pressure fine water spray nozzles (Model BM1-28) and the Type 3V-C2,5 6 m length of N-Pipe is fitted with 18 nozzles (BM1-20 and BM1-28).

Model N-pipes Type I-C1,5 and 3V-C2,5 are installed in one line or parallel rows, covering the entire conveyor width and length, either as a total flooding design, where all pipes are connected to the same riser pipe, or as zones where each zone of N-pipe are connected to a zone deluge valve.

Tests and Applications

N-pipes Type I-C1,5 and 3V-C2,5 has been successfully tested in accordance with DFL TM 180719-1289-4, designed accordingly to prEN 14972 annex A, for installation in systems including detectors in accordance with DFL test protocol 190307-1276-1.

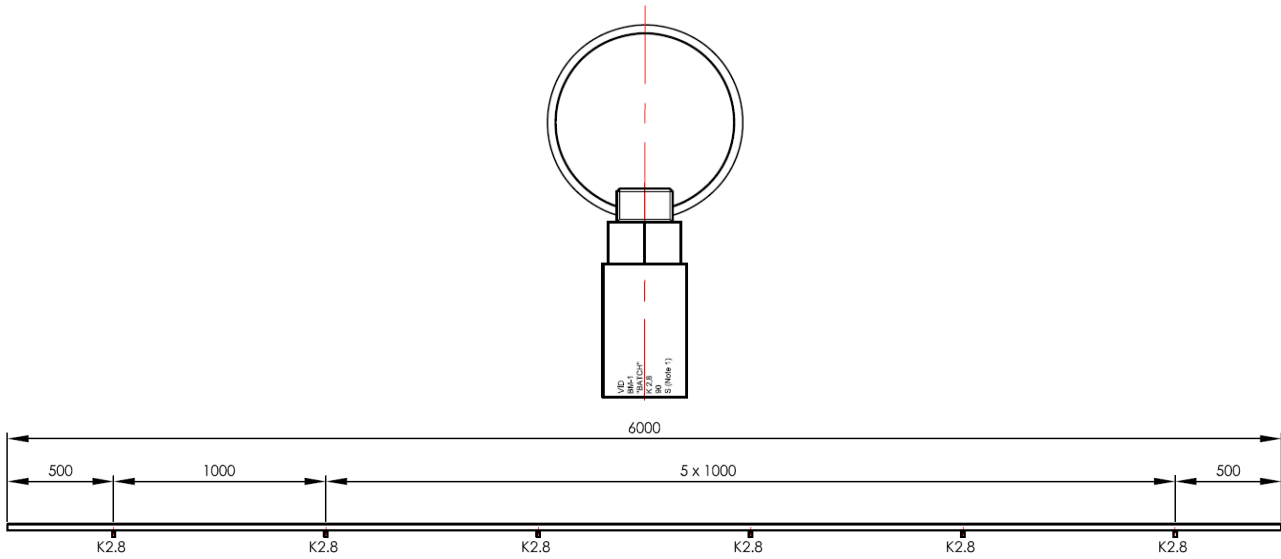
Based on the testing the N-pipes Type I-C1,5 and 3V-C2,5 can protect closed, semi-closed or open conveyors transporting clean wood residues from forestry or other wood processing activities, coal, wood pellets, etc.

Technical data

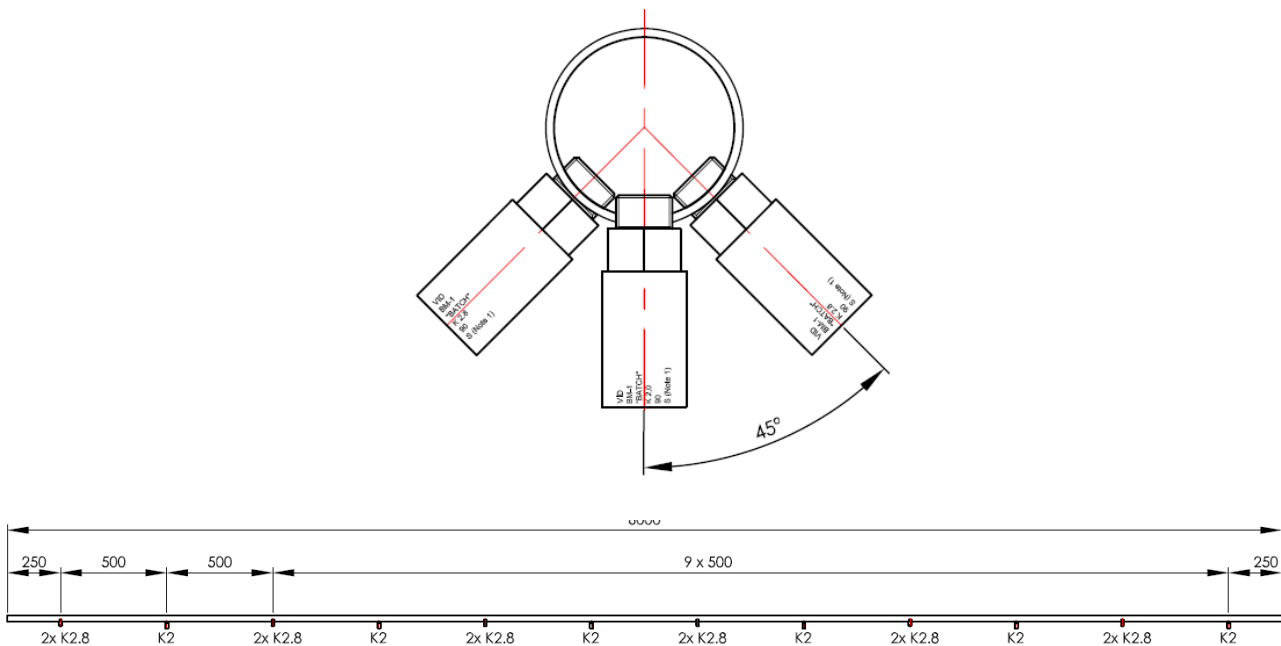
General description		
N-Pipe type / nozzle	I-C 1,5	3V-C 2,5
Minimum water pressure	6 bar	6 bar
Maximum water pressure	16 bar	16 bar
K-factor 6,0m N-pipe (metric)	16,8	45,6
Flow 6 m pipe (l/min@4 Bar)	41,15	111,7
Drop size	DV ₉₀ < 300 µm	
Application		
Width covered by 1 N-pipe	1,50 m	2,50 m
Min height above object	1,25 m	1,25 m
Max height above object	1,75 m	1,75 m
Hydraulics		
Water density (mm/m ²)	4,5	7,4
System operation time	30 min	

Specific description	
Pipe length	6 meter
Pipe dimension	Depend on total flow
Pipe material	SS AISI 316L
Micro Nozzle material	SS AISI 304 or SS 316L
Pipe for press fittings	28 / 35 / 42 / 54 / 76 mm
Related products	
Control Valve	C-EL
Filter	Model F

Model N-Pipe Type I-C1.5



Model N-Pipe Type 3V-C2.5



Contact

For further information on FIRE KILL™ products, please contact our sales department at Sales@vidfirekill.com

VID Fire-Kill APS is not responsible for any errors or omissions, or for the results obtained from the use of this information. All information in this document is provided "as is", with no guarantee of completeness, accuracy, functionality, timeliness or of the results obtained from the use of this information.