

Description

The FIRE KILL™ Model OH-ALRTH are robust and easy to install rosettes designed to protect installed OH-Anti-Ligature nozzles and the surfaces of which they are installed into. The rosette is fixed to the nozzle through its internal threading.

The Model OH-ALRTH is made in stainless steel and can be supplied with its natural stainless-steel finish or with any RAL color finish. This allows the rosette and nozzle to easily blend into the surroundings.

The rosettes feature four fixation-holes to fix the rosette to its surrounding surface.



Design and Installation

When flexible hoses are used, the rosette should be mounted to the nozzle prior to installation into the ceiling.

When the nozzles are fixed straight into the piping using the OH-S42 nozzle spanner, the nozzle should be fitted prior to installing the rosette.

The Model OH-ALRTH is designed to cover installation holes, with a diameter of 45 mm to 50 mm.

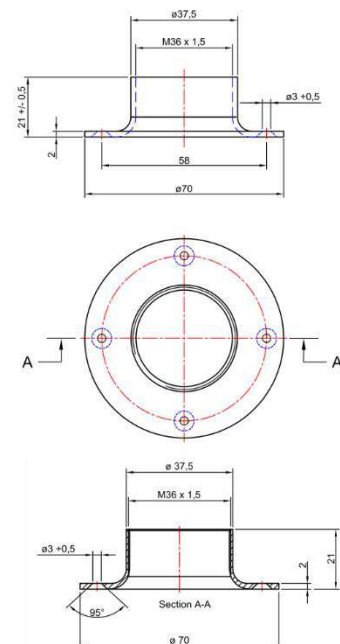
The rosette is to be fixed to the nozzle by use of its internal thread, which ensures, that the rosette is the correct distance from the Model OH-nozzles cover-plate.

The Model OH-ALRTH has been designed specifically for the Model OH-nozzles and should therefore not be used in protecting or covering nozzles not found in the Model OH-ranges.

Technical data

General Description	
Material	SS 316
Weight	0,048 Kg
Standard finish	Natural RAL 9010
Other finish	Other RAL or printed
Related products	
Automatic nozzles	OH-Serie

Dimension



Contact

For further information on FIRE KILL™ products, please contact our sales department at Sales@vidfirekill.com

VID Fire-Kill APS is not responsible for any errors or omissions, or for the results obtained from the use of this information. All information in this document is provided "as is", with no guarantee of completeness, accuracy, functionality, timeliness or of the results obtained from the use of this information.