

### Description

The FIREKILL™ Model OH-R3-T are robust and easy to install rosettes designed to protect installed OH-nozzles and the surfaces of which they are installed into. The rosette is fixed to the nozzle through its internal threading.

The Model OH-R3-T is made in IXEF Back plane and stainless steel cover plate and can be supplied with its natural stainless-steel finish or with any RAL color finish. This allows the rosette and nozzle to easily blend into the surroundings. The coverplate is with snap on after the back plane is fixed. The screws if required will be hidden behind the cover plate.



### Design and Installation

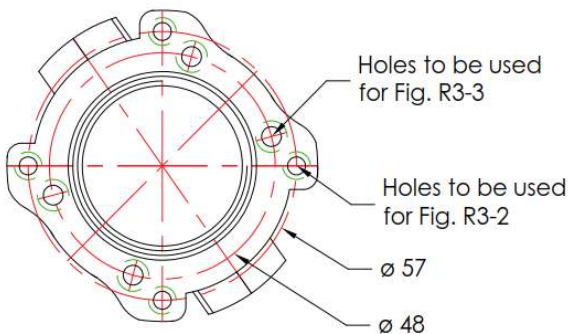
When flexible hoses are used, the rosette should be mounted to the nozzle prior to installation into the ceiling.

When the nozzles are fixed straight into the piping using the OH-S42 nozzle spanner, the nozzle should be fitted prior to installing the rosette.

The Model OH-R3-T is designed to cover installation holes, with a diameter of 45 mm to 50 mm.

The rosette is to be fixed to the nozzle by use of its internal thread, which ensures, that the rosette is the correct distance from the Model OH-nozzles cover-plate.

The Model OH-R3-T has been designed specifically for the Model OH-nozzles and should therefore not be used in protecting or covering nozzles not found in the Model OH-ranges.

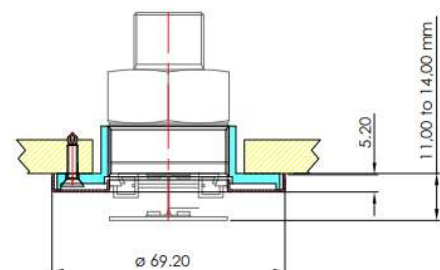


Reference to Fig. R3-2 and R3-3, see page 2.

### Technical data

General Description	
Material	IXEF / SS 316
Weight	0,036 Kg
Standard finish	Natural RAL 9010
Other finish	Other RAL or printed
Related products	
Automatic nozzles	OH-Serie

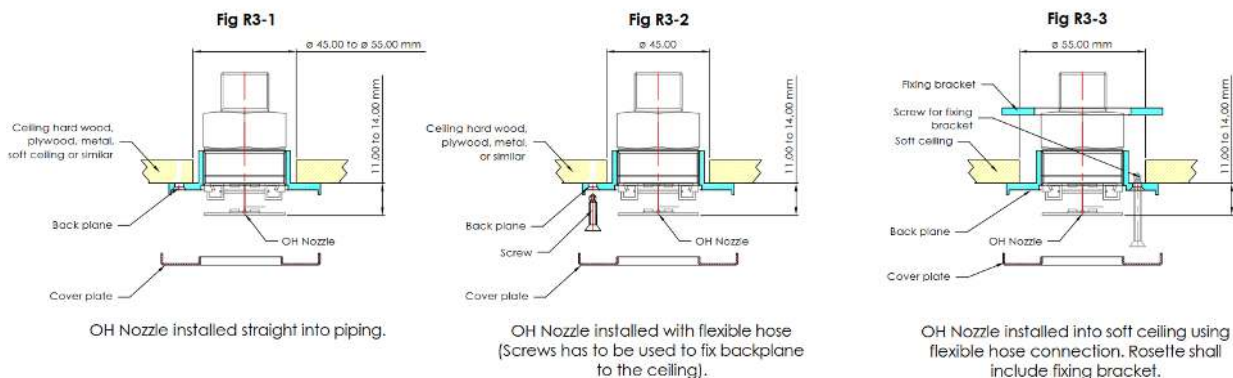
### Dimension



## Ordering the rosette

The rosette is divided into two separate main parts.

- Main part consisting of back plane, metal cover plate and 4 x self-drilling screws. The metal Coverplate is standard as polished stainless steel or white RAL9010. Other RAL colors or special foil can be supplied. To be specified.
- Fixing bracket, only required to be ordered if the nozzles shall be installed with flexible hoses and the ceiling is typically soft sealing. The set included the fixing bracket and 4 x self-drilling screws for plastic.



## Contact

For further information on **FIREKILL™** products, please contact our sales department at [Sales@vidfirekill.com](mailto:Sales@vidfirekill.com)

VID Fire-Kill APS is not responsible for any errors or omissions, or for the results obtained from the use of this information. All information in this document is provided "as is", with no guarantee of completeness, accuracy, functionality, timeliness or of the results obtained from the use of this information.