

Description

The FIRE KILL™ Low Pressure Water mist nozzle OH-PX2 Ideal for installations such as fire protection of non-storage occupancy within hazard category HC1, HC-2 and HC-3 and it provides a highly reliable and enhanced firefighting performance along with low water requirements. The different finishes and optional painted finishes make the system blend in with almost every type of surface.



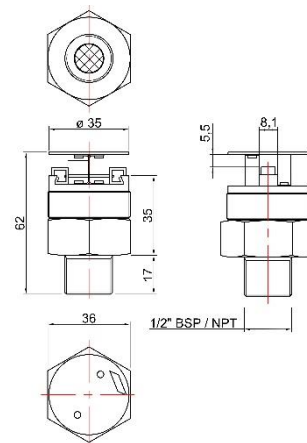
Approvals

The FIRE KILL™ OH-PX2 has been tested in accordance FM5560:2021 Appendix P Fire Tests for Watermist systems for the protection of non-storage occupancies, Hazard Category 2 (OH-2/HC-2) and Hazard Category 3 (OH-3/HC-3) and EN14972-1:2020 Appendix A in an ISO 17025 accredited fire test laboratory holding IBS Institute für Brandschutztechnik und Sicherheitsforschung approval.

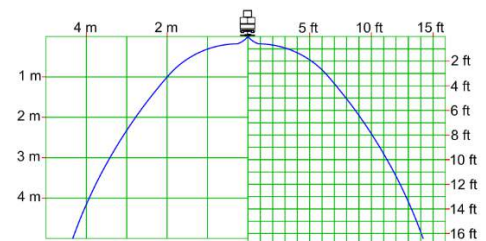
Technical data

General Description	
Installation	Pendent
Minimum water pressure	8 bar
Maximum working pressure	16 bar
K-factor (metric)	19,0 (l/min@1 bar)
Nominal release temperatures	57°C ,68°C, 79°C, 93°C, 141°C
Time Response Index (metric)	RTI < 50 Fast Response Class
Drop size	DV90 < 300 µm
Application	
Coverage / Spacing (max)	13,00 m ² (3,6m x 3,6m)
Distance to wall (max)	1.80 m
Height (max)	7,6 m
Specific Description	
Weight	0.211 kg
Housing	Brass
Coating	NiSn
Strainer	Stainless Steel
Thread	½" BSP/BSP-T/NPT
Standard Finish	Chrome, White RAL 9010
Other Finish	Other RAL colors
Hydraulic System	
Water density	4.15 mm/m ²
Minimum system operation time	60 minutes
Minimum design area	9 nozzle design
Other products to be installed in the system	
Name	Model
Alarm Check Valve	WAC
OH Rosette	OH-R(2)-T / OH-R(2)-TH
OH Pipe Spanner	OH-S42

Dimensionv



Spray pattern



Installations

The OH-PX2 nozzles are installed recessed in a ceiling, using the OH-S42 nozzle spanner, as not to damage either nozzle or the surrounding ceiling or in an open pipe-work, with a maximum distance of 3,6 m between the nozzles and a maximum of 1,80 m between to any walls.

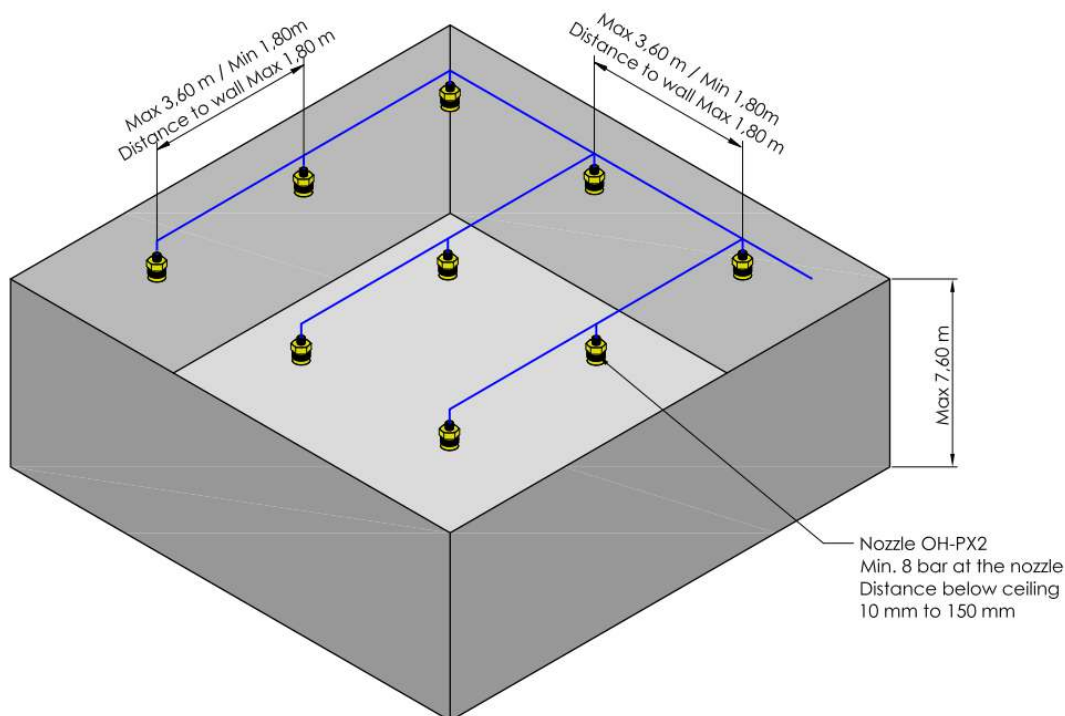
The FIRE KILL™ OH-PX2 should only be installed in clean, non-corrosive pipe systems, which do not cause galvanic corrosion to the nozzle, the system components and pipe hangers, and with clean rinsed internal surfaces free of impurities. The water quality should be potable quality and free from impurities. After successful installation of the nozzle, the OH-R(2)-T or OH-R(2)-TH rosette is to be screwed on to the nozzle, thus completing the installation process. The nozzle may also be surface mounted into open pipe work. The system should be installed using materials found acceptable by the authorities having jurisdiction.

Caution

The FIRE KILL™ OH-PX2 is a fragile component, containing a glass release element under pressure. Only VID OH-spanners should be used in the installation of the FIRE KILL™ OH-PX2 nozzle.

Dropped or otherwise damaged nozzles should not be reinstalled.

Typical lay-out



Contact

For further information on FIRE KILL™ products, please contact our sales department at Sales@vidfirekill.com

VID Fire-Kill APS is not responsible for any errors or omissions, or for the results obtained from the use of this information. All information in this document is provided "as is", with no guarantee of completeness, accuracy, functionality, timeliness or of the results obtained from the use of this information.