

Description

The **FIREKILL™** Model BFVM butterfly valve with monitoring is used in all low-pressure water mist systems where there is a demand for isolation, drain or test valves.

Resilient seated butterfly valve, wafer style. To be installed between two raised face flanges in accordance with DIN PN 16 standard.

The butterfly valve can be supplied in two sizes, DN 40 and DN 50.

The **FIREKILL™** Model BFVM is supplied with a limit switch with NO and NC contacts. The switch is activated in fully open position and will change when the valve handle is being moved towards closed position.



Technical data

Specification valve		
Materials	Body	Cast iron GGG40 DIN 1693-73
	Disc	AISI 316 A351 CF-8
	Shaft	AISI 316 A-276
	Seat ring	EPDM
	O-Ring	EPDM
	Bushing	Bronze B62 C83600
Dimensions	DN40 – 1 ½"	
	DN50 – 2"	
Working Pressure	0 - 16 bar	
Test pressure	Shell	24 bar
	Seal	17,6 bar
Working temperatures	-20°C to +110°C	
Weight Kg	DN 40 –	2,10 Kg
	DN 50 –	2,60 Kg
Specification switch		
Degree of protection	IP 66	
Working temperature	-25°C to +70°C	
Snap action	1 NO + 1 NC	
Operational current	2,8 A at 24 VDC	
Related products		
Name	Model	
Automatic nozzle	FIRE KILL™ OH Series	
Wet Alarm Valve	WAC	
Filter	Model F	
Sales and order number	DN 40	DN 50
	WAC-13440	WAC-13450

Installation

Installation in existing pipework:

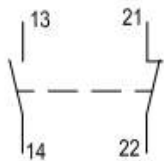
- * Make sure that the valve fit between the flanges without difficulty.
- * Close the valve so that the disc is about 5 inside the valve body.
- * Slip the valve between the flanges, centre the valve casing and fit the screws.
- * Open the disc completely.
- * Tightening the screws by hand.
- * Close the valve carefully making sure that the disc turns freely.
- * Open the valve again completely and tighten all the bolts (opposing bolt sequentially).
- * Never tighten the bolts with the disc in closed position.

Installation in new pipework:

- * The valve should be in almost closed position when mounting the two flanges onto the valve body.
- * Fit the whole assembly to the pipe work
- * Consolidate the flanges to the pipe work by welding at several points.
- * Unscrew the bolts and remove the valve from the flanges before welding completely.
- * Never weld the flanges with the valve installed, as there is a risk of burning elastomer seats.
- * After welding and cooling of the flanges, return the valve to the pipe work by using the procedure "installation on existing pipe"

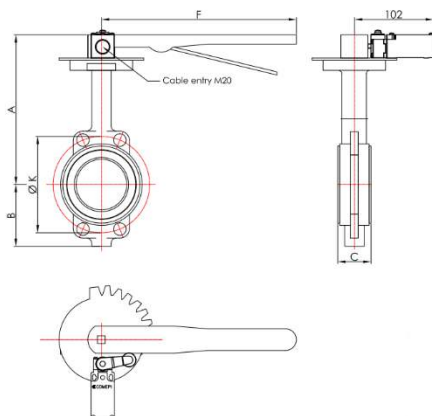
NOTE: Vertically installation with the manual handle pointing downwards is prohibited.

Limit switch



Contact position when not activated. In normal operation with butterfly valve in open position, the contacts will be opposite, i.e. Open contact 21/22, closed contact 13/14.

Dimension



	DN 40	DN 50
A	110 mm	161 mm
B	65 mm	80 mm
C	33 mm	43 mm
F	252 mm	252 mm
Ø K	110 mm	125 mm

Contact

For further information on **FIREKILL™** products, please contact our sales department at Sales@vidfirekill.com

VID Fire-Kill APS is not responsible for any errors or omissions, or for the results obtained from the use of this information. All information in this document is provided "as is", with no guarantee of completeness, accuracy, functionality, timeliness or of the results obtained from the use of this information.