

Description

The FIREKILL™ C-EL-PA Pre-Action Control Valve is a series of robust and reliable deluge, angle positioned, pilot controlled valves created entirely in Stainless Steel (316L) and designed for operating in closed dry systems as a zone valve, capable of functioning under harsh conditions and designed to be connected to systems where no corrosion is allowed.

The inclusion of the Model C-EL-PA Pre-Action trim, allows the system to monitor dry-pipe pressure drops, creating an additional means of false alarm prevention.

The Model C-EL-PA Control Valve features smaller external trim than other conventional control valves, making the valve easy to install and limits the end-product costs, and greatly diminishes the spatial requirements of the control valve.

The Control Valves have been designed with the intention of being installed in fine water spray fixed firefighting systems (FFFS) in commercial and industrial applications. Because of the stainless-steel housing and internal components, the Model C-EL-PA Control Valves are highly applicable in most areas. The Valve can easily be disassembled for easy maintenance and refurbishment, without removing the valve housing from the connected system.

Certain model of the C-ELPA valves are FM Approved as a part of the FIREKILL™ approved system for FM Data Centre occupancies.

* FM Approved
version



Technical data

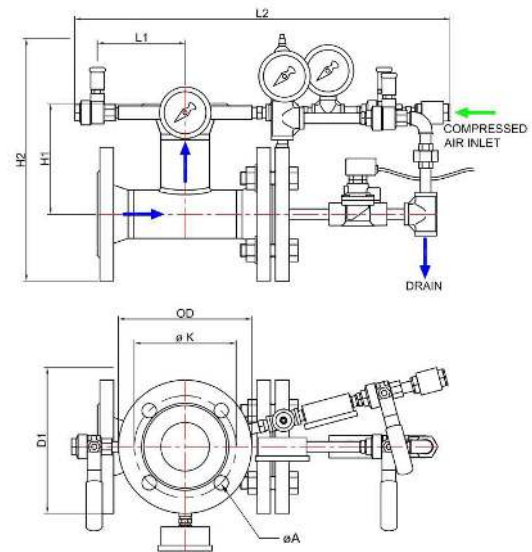
Specification			
Working Pressure	Max 16 bar		
Max pipe volume single interlock	936 litre (60 seconds air/water evacuation time)		
Max pipe volume double interlock	270 litre (60 seconds air evacuation time)		
Factory Tested	24 bar		
Materials	Stainless Steel AISI 316L		
Pressure Gauge Locations	Valve Inlet, Primary Valve Outlet		
Weight	DN 50 – 14,50 Kg / DN 80 – 22,50 Kg		
Activation Options	Manual, Electrical (24 VDC NC/Impulse)		
Gasket Materials	EPDM		
S&O nr.	Solenoid Valve Variations:	24VDC (11W) NC	*24 VDC (10W) Impulse
	Flange version DN 50-50	CELPA-10440	*CELPA-10441
	Flange version DN 80-80	CELPA-10442	*CELPA-10443
	Threaded version 2" NPT -2" NPT	CELPA-10444	*CELPA-10445
	Threaded version 3" NPT -3" NPT	CELPA-10446	*CELPA-10444
Related Products			
Name	Model		
Simple Gasket/O-ring Service Kit	Model C Basic Valve Service Kit		
Complex Gasket/O-ring Service Kit	Model C Full Valve Service Kit		
Service Wrench for DN 80-80 and 3"-3" valves	Model C Valve Wrench Kit		
Additional Valve Core for valve complex service	Model C Valve Core Kit		

Valve Sizes and Variations

Sizes		KV-Value	
Flanged Inlet	Flanged Outlet		
DN 50	DN 50	450	l/min at 1 bar pressure loss
DN 80	DN 80	1800	l/min at 1 bar pressure loss
Threaded Inlet	Threaded Outlet		
2" NPT	2" NPT	450	l/min at 1 bar pressure loss
3" NPT	3" NPT	1800	l/min at 1 bar pressure loss

Dimensions

	C-EL-PA 50-50	C-EL-PA 2"-2"	C-EL-PA 80-80	C-EL-PA 3"-3"
L1	109 mm	137 mm	137 mm	197 mm
L2	427 mm	455 mm	508 mm	568 mm
H1	137 mm	165 mm	167 mm	227 mm
H2	255 mm	304 mm	347 mm	347 mm
D1	226 mm	226 mm	253 mm	245 mm
OD	165 mm	165 mm	200 mm	200 mm
øK	125 mm	125 mm	160 mm	160 mm
øA	4 x ø18	4 x ø18	8 x ø18	8 x ø18

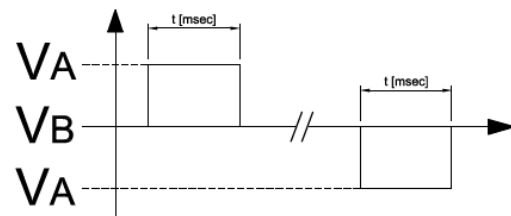
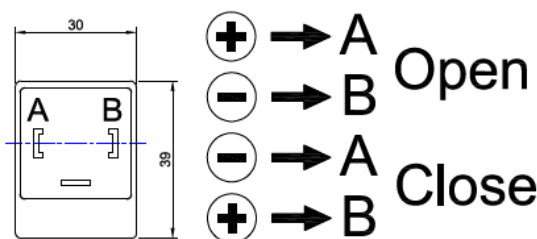


NOTE: To allow for maintenance while installed, the Model C-EL shall have a free space of 2/3rds its length (L2) at the valve trim side.

NOTE: To ensure correct operation the fluid should be filtered to eliminate all traces of impurity subject to magnetic attraction, which would inevitably deposit on the cores of the solenoid valve, which are always magnetized, causing the formation of oxide as well as contact problem.

Impuls solenoid valve

- Impulse feed from 24 V DC for a period lasting from 20 to 100 ms.



Contact

For further information on FIREKILL™ products, please contact our sales department at Sales@vidfirekill.com

VID Fire-Kill APS is not responsible for any errors or omissions, or for the results obtained from the use of this information. All information in this document is provided "as is", with no guarantee of completeness, accuracy, functionality, timeliness or of the results obtained from the use of this information.