

Description

The FIRE KILL™ Model OH-RNG is a series of nozzle guards designed for the protection of the automatic Model OH bulbs and related nozzle components. The Model OH-RNG is to be used when additional protection of sensitive components is required for Model OH nozzles. The nozzle guard is a combined OH-2RT rosette and a guard.

The Model OH-RNG is made in Stainless Steel 316 and can be supplied as standard with chrome or White RAL 9010 finish. Additional RAL colors are available.

Design and Installation

The Model OH-RNG shall be installed onto a fully operational Model OH nozzle. The Model OH-RNG shall be securely fastened to the Model OH nozzle by use of the nozzles thread as shown on the below diagram.

The GUARD is to be fixed to the nozzle by use of its internal thread, which ensures, that the guard has the correct distance from the Model OH-nozzles cover-plate.

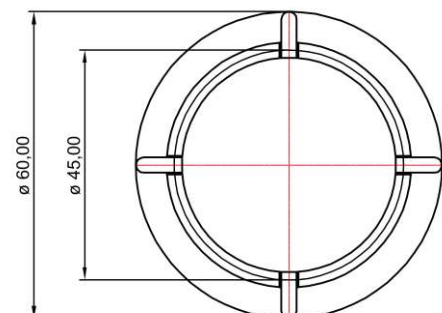
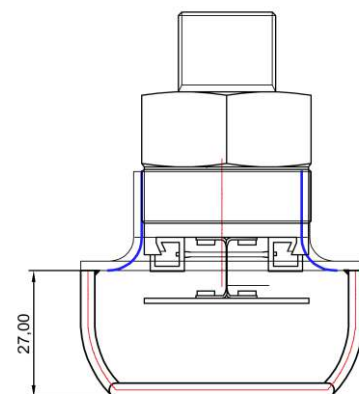
The Model OH-RNG has been designed specifically for the side wall and pendent Model OH-nozzles and should therefore not be used in protecting or covering nozzles not found in the Model OH-ranges. Neither should it be used for upright OH Nozzles.



Technical data

General Description	
Material	Stainless steel
Weight	0,046 Kg
Standard finish	Natural RAL 9010
Other finish	Other RAL
Related products	
Automatic nozzles	OH-Serie pendent and sidewall

Dimension



Contact

For further information on FIRE KILL™ products, please contact our sales department at Sales@vidfirekill.com

VID Fire-Kill APS is not responsible for any errors or omissions, or for the results obtained from the use of this information. All information in this document is provided "as is", with no guarantee of completeness, accuracy, functionality, timeliness or of the results obtained from the use of this information.