

Description

The FIRE KILL™ Model F is a patented system of compact high capacity in-line style filters, for protection of small openings and orifices and small capacity filters and clearances against clogging, and for protection against abrasive wear of internal surfaces in pipe systems transporting liquids.

The Model F can be supplied with a unique feature of either visual or electronic alarm for when it's time to clean/rinse it.

It is also available with two butterfly isolation valves.

The Model F filters have been tested with full contamination load in water to the International Maritime Organization (IMO) clogging test standard for water mist systems MSC 1165 and IMO MSC 265(84).

The Model F is to be used with all VID Fire-Kill open and automatic nozzles to ensure that no clogging will occur.



Application

- Low pressure water mist systems
- Water spray systems
- Heating and Industrial pipe systems

Technical data

Specification	
Pressure loss	DN 50 - 0.1 bar (0-500 l/min)
	DN80 - 0.1 bar (0-2000 l/min)
Working Pressure	16 bar
Test pressure	24 bar
Material	AISI 316
Connection	Flanged DIN PN16
Filter size	1000 micron
Weight Kg	DN 50 – 8,80 Kg
	DN 80 – 12,50 Kg
Visual and electric "rinse" alarm	
Standard alarm setting	Pressure loss above 0,5 bar
Optional setting	0,1 bar to 5 bar
Specification switch	
Max switching voltage	250 VAC/24 VDC
Max load	60 W
Max current	1 A
Terminals	1 – NC 2 – NO 3 – C

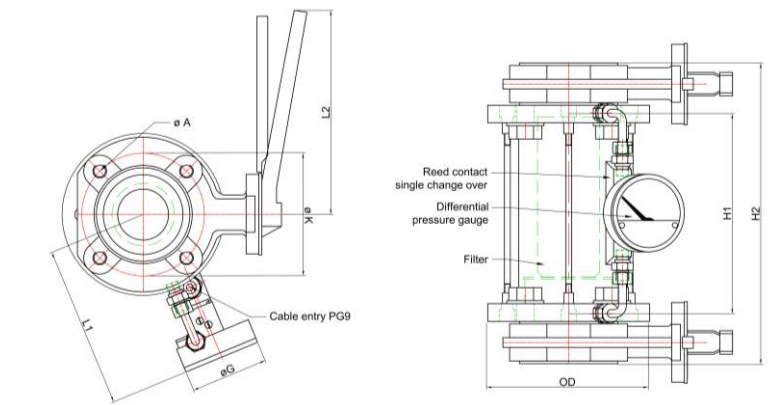
Butterfly valves		
Body material	EN-GJS-400	
Disc material	Stainless steel	
Stem material	Stainless steel	
Seat material	EPDM	
Pressure class	PN 16	
Sales and order number		
Dimension	DN 50	DN 80
Filter basic type	F-10800	F-10801
Filter with monitoring	F-10804	F-10805
Valves; Set of two valves	F-10806	F-10807

Maintenance

Model F filters are designed for easy service due to the flanged style installation and with the unique feature of either visual or electronic alarm for when it's time to clean it, due to the unique monitoring system where the inlet and outlet pressure is measured.

Dimension

	DN 50	DN 80
H1	204 mm	284 mm
H2	312 mm	392 mm
OD	ø 165 mm	ø 200 mm
L1	170 mm	238 mm
L2	232 mm	232 mm
øK	ø 125 mm	ø 160 mm
øA	4 x M16	8 x M16
øG	ø 66 mm	ø 66 mm



Contact

For further information on FIREKILL™ products, please contact our sales department at Sales@vidfirekill.com

VID Fire-Kill APS is not responsible for any errors or omissions, or for the results obtained from the use of this information. All information in this document is provided "as is", with no guarantee of completeness, accuracy, functionality, timeliness or of the results obtained from the use of this information.