

Description

The FIREKILL™ OH-S42 is a spanner created for the correct installation of the OH-nozzles.

Design and Installation

The FIREKILL™ OH-S42 is an installation tool for the OH-automatic nozzle series and should be used for nozzle installations in walls and ceilings.

Under installation an OH-nozzle should be placed into the open end of the spanner, with the glass bulb pointing into the spanner and the thread of the nozzle pointing away from the spanner. The nozzle should then be screwed into place and can be tightened by rotating the spanner with a 24 mm wrench. The nozzle shall be screwed in place until it is sufficiently tightened or until it has reached its intended depth. See the OH-nozzle DIOM manual for more on this subject.

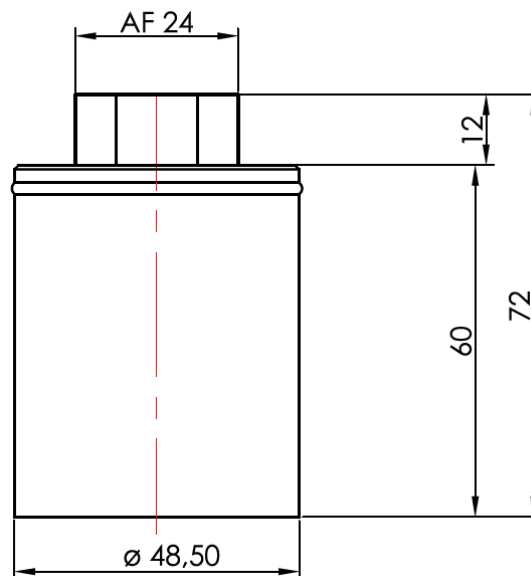
The nozzle is now in the correct position and the installation hole can be hidden with a rosette for the OH nozzles.



Technical data

General Description	
Material	Steel / Chrome Plated
Weight	0,41 Kg

Dimension



Contact

For further information on FIREKILL™ products, please contact our sales department at Sales@vidfirekill.com

VID Fire-Kill APS is not responsible for any errors or omissions, or for the results obtained from the use of this information. All information in this document is provided "as is", with no guarantee of completeness, accuracy, functionality, timeliness or of the results obtained from the use of this information.