

Description

The FIRE KILL™ Low Pressure Water mist nozzle OH-UPR is an automatic, upright low-pressure water mist nozzle ideal for non-automatic, fully enclosed garages, underground garages and such applications. The upright nozzle design in the system makes it possible to protect such applications with low water flows and water pressures, and at the same time protecting the nozzles themselves. The different finishes and optional painted finishes make the system blend in with almost every type of surface.



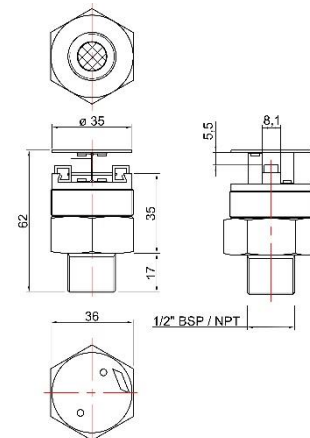
Approvals

The FIRE KILL™ OH-UPR system has been successfully tested by an ISO17025 accredited test lab and 3. party accepted to the CEN/TS 14972:2016 water mist standard for non-automatic, fully enclosed garages. The test protocol is revised version of the VdS car park test protocol. The test is carried out with third party witness from DnVGL.

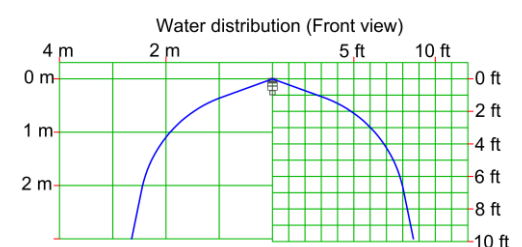
Technical data

General Description	
Minimum water pressure	6 bar
Maximum working pressure	16 bar
K-factor (metric)	19,4 (l/min@1 bar)
Nominal release temperatures	57°C ,68°C, 79°C, 93°C, 141°C
Time Response Index (metric)	RTI < 50 Fast Response Class
Drop size	DV90 < 300 µm
Application	
Coverage / Spacing (max)	16,00 m ² (4,0m x 4,0m)
Distance to wall (max)	2.00 m
Room size (max)	Unlimited
Height (max)	3,0 m / 0,05m to 0,20 m
Distance below ceiling to glass bulb	50mm – 200mm
Specific Description	
Weight	0.211 kg
Housing	Brass
Coating	NiSn
Strainer	Stainless Steel
Thread	½" BSP/BSP-T/NPT
Standard Finish	Chrome, White RAL 9010
Other Finish	Other RAL colors
Hydraulic System	
Water density	3.00 mm/m ²
Minimum system operation time	As required by AHJ
Minimum design area	As required by AHJ
Other products to be installed in the system	
Name	Model
Alarm Check Valve	WAC
Nozzle spanner	OH-S42

Dimension



Spray pattern



Third party witness



Installations

The OH-UPR nozzles are installed below the ceiling in an upright position, using the OH-S42 nozzle spanner, as not to damage either nozzle or the surrounding ceiling, with a maximum distance of 4,0 m between the nozzles and a maximum of 2,00 m between to any walls.

The FIRE KILL™ OH-UPR should only be installed in clean, non-corrosive pipe systems, which do not cause galvanic corrosion to the nozzle, the system components and pipe hangers, and with clean rinsed internal surfaces free of impurities. The OH-UPR nozzles can either be installed in wet pipe systems, but can also be installed in pre-action system as long as it is used together with the VID Fire-Kill Model C-EL-PA valves. For more information about that please request for the DIOM manual for this product or read more in chapter 4.2.1. The system should be installed using materials found acceptable by the authorities having jurisdiction.

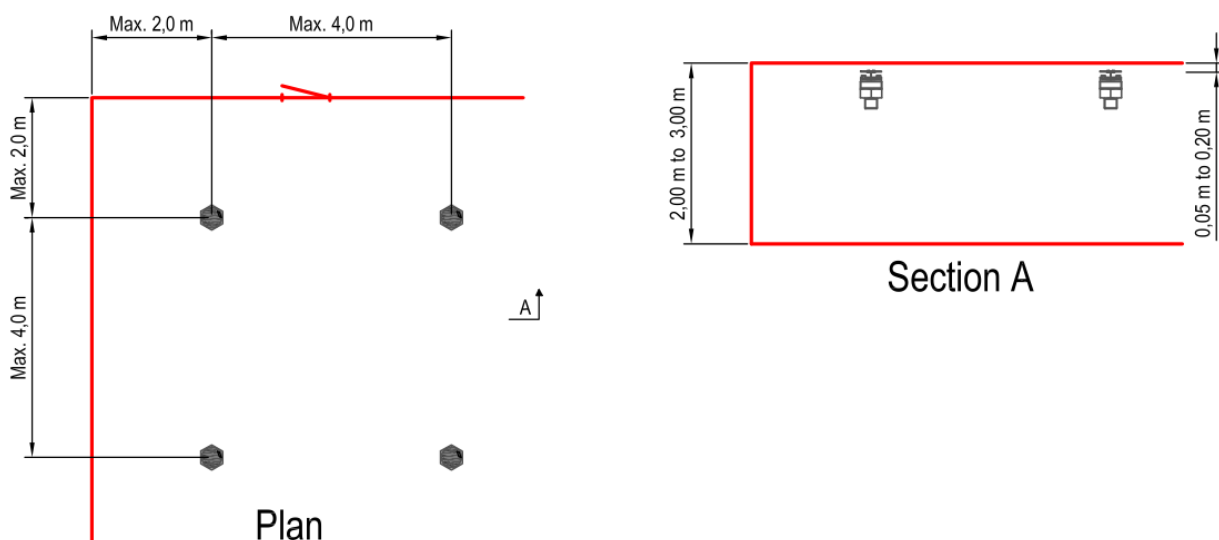
Nozzle position

The FIRE KILL™ OH-UPR nozzles are installed upright in 50mm to 200mm below the ceiling, creating not only protection of the nozzle itself from hit from vehicles, but also eases the installation time and thereby reduces the total system and installation cost.

Caution

The FIRE KILL™ OH-UPR is a fragile component, containing a glass release element under pressure. Dropped or otherwise damaged nozzles should not be reinstalled.

Typical lay-out



Contact

For further information on FIRE KILL™ products, please contact our sales department at Sales@vidfirekill.com

VID Fire-Kill APS is not responsible for any errors or omissions, or for the results obtained from the use of this information. All information in this document is provided "as is", with no guarantee of completeness, accuracy, functionality, timeliness or of the results obtained from the use of this information.