

## Description

The FIRE KILL™ Low Pressure Water mist nozzle OH-SW is an automatic, side wall low-pressure water mist nozzle ideal for such as fire protection of open public spaces and other similar locations with smooth ceilings and walls. The different finishes and optional painted finishes make the system blend in with almost every type of surface.



## Approvals

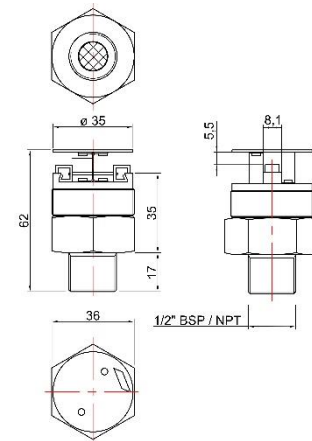
The FIRE KILL™ OH-SW has been tested in accordance with Danish Fire Laboratories test method 80728-SW "fire test scenario for horizontally installed sidewall water mist nozzles."

The FIRE KILL™ OH-SW can therefore be used for securing hotel rooms, offices, homes and other similar areas.

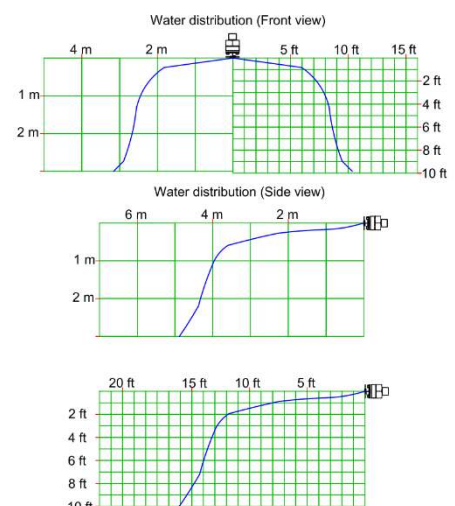
## Technical data

General Description	
Minimum water pressure	6 bar
Maximum working pressure	16 bar
K-factor (metric)	12,5 (l/min@1 bar)
Nominal release temperatures	57°C ,68°C, 79°C, 93°C, 141°C
Time Response Index (metric)	RTI < 50 Fast Response Class
Drop size	DV90 < 300 µm
Application	
Coverage	13.70 m <sup>2</sup> (3,7m x 3,7m)
Distance to wall (max)	NA
Room size (max)	Unlimited
Height (min - max)	2,0 m - 3,0 m
Specific Description	
Weight	0.211 kg
Housing	Brass
Coating	NiSn
Strainer	Stainless Steel
Thread	½" BSP/BSP-T/NPT
Standard Finish	Chrome, White RAL 9010
Other Finish	Other RAL colors
Hydraulic System	
Water density	2.23 mm/m <sup>2</sup>
Minimum system operation time	As required by AHJ
Minimum design area	As required by AHJ
Other products to be installed in the system	
Name	Model
Alarm Check Valve	WAC
OH Rosette	OH-R(2)-T / OH-R(2)-TH
OH Pipe Spanner	OH-S42

## Dimension



## Spray pattern



## Installations

The OH-SW nozzles are installed recessed in the wall/bulkhead, using the OH-S42 nozzle spanner, as not to damage either nozzle or the surrounding ceiling.

The FIRE KILL™ OH-SW should only be installed in clean, non-corrosive pipe systems, which do not cause galvanic corrosion to the nozzle, the system components and pipe hangers, and with clean rinsed internal surfaces free of impurities. The water quality should be free of chlorides and impurities. After successful installation of the nozzle, the OH-R(2)-T or OH-R(2)TH rosette is to be screwed on to the nozzle, thus completing the installation process. The nozzle may also be surface mounted into open pipe work. The system should be installed using materials found acceptable by the authorities having jurisdiction.

## Nozzle Position

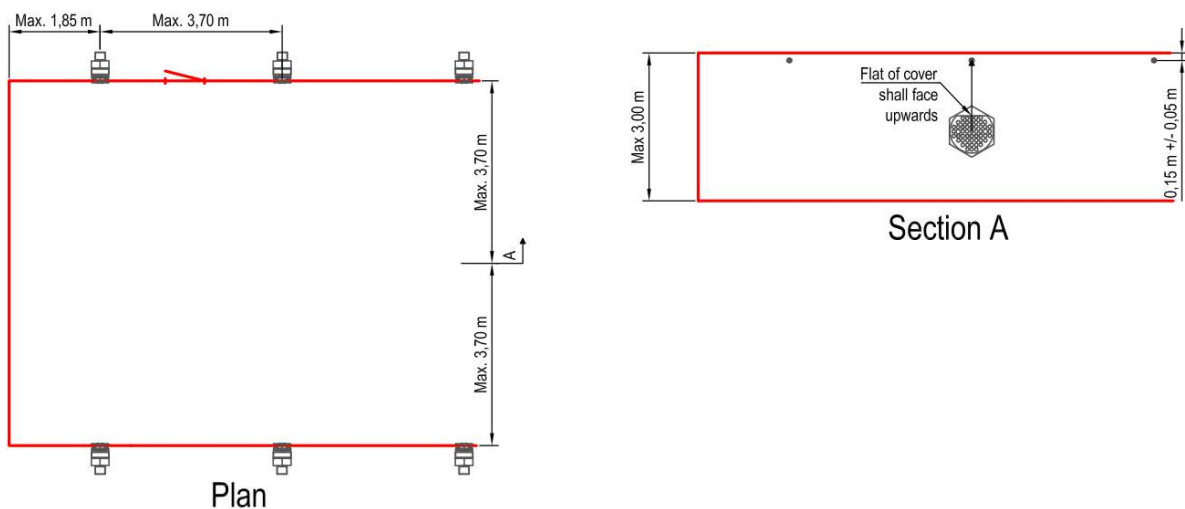
The nozzles are to be installed in the horizontal position, making them lie perpendicular to the surface of the wall. The FIRE KILL™ OH-SW is to be orientated with the flat of its cover plate facing up, making it parallel with the surface of the ceiling.

## Caution

The FIRE KILL™ OH-SW is a fragile component, containing a glass release element under pressure. Only VID OH-spanners should be used in the installation of the FIRE KILL™ OH-SW nozzle.

Dropped or otherwise damaged nozzles should not be reinstalled.

## Typical lay-out



## Contact

For further information on FIRE KILL™ products, please contact our sales department at [Sales@vidfirekill.com](mailto:Sales@vidfirekill.com)

VID Fire-Kill APS is not responsible for any errors or omissions, or for the results obtained from the use of this information. All information in this document is provided "as is", with no guarantee of completeness, accuracy, functionality, timeliness or of the results obtained from the use of this information.